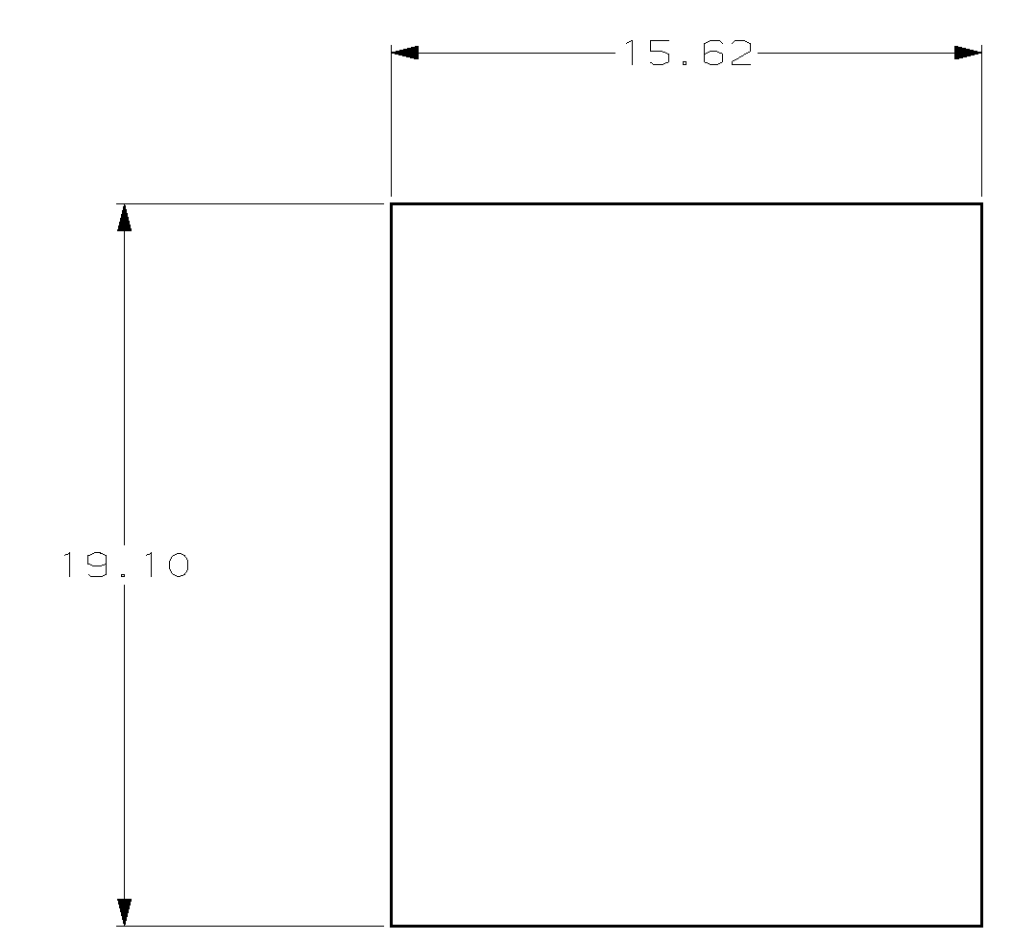
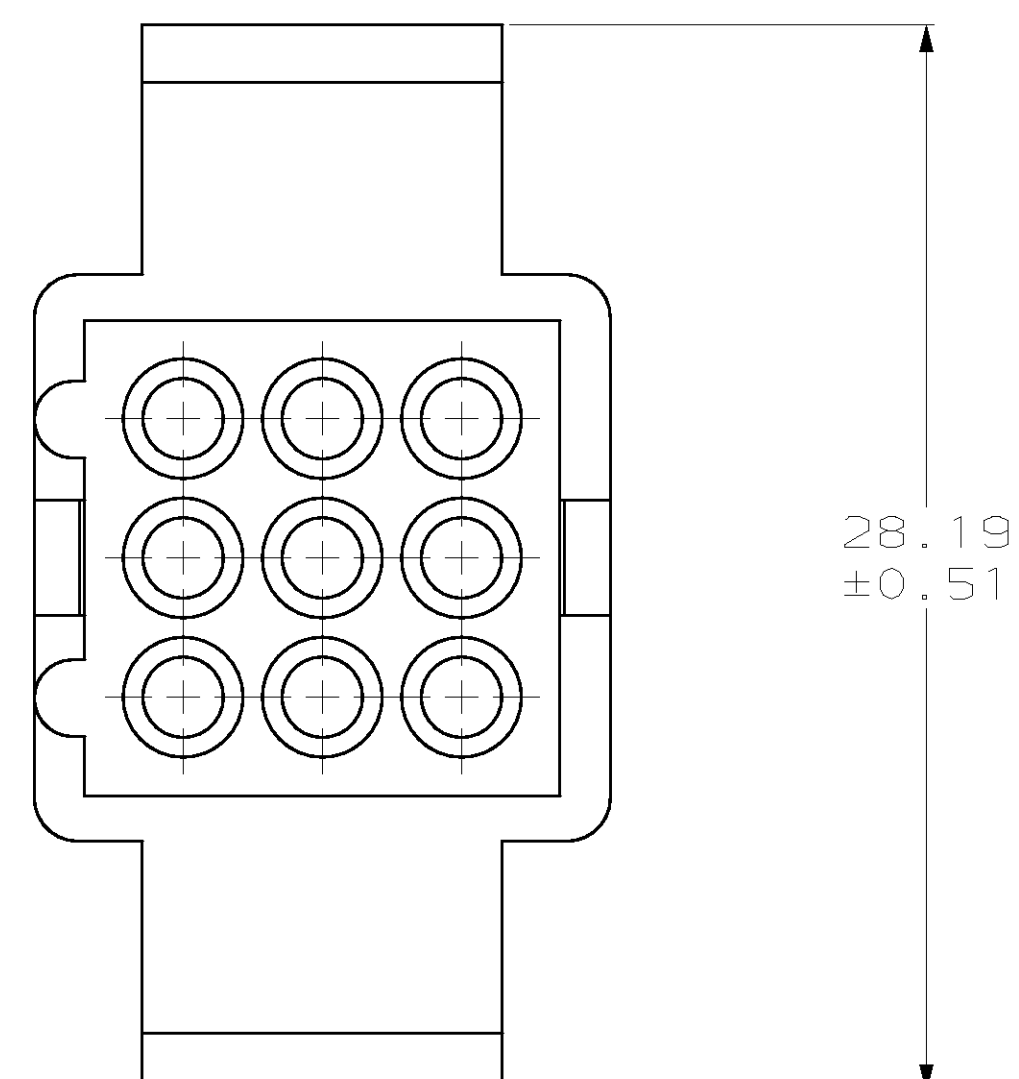
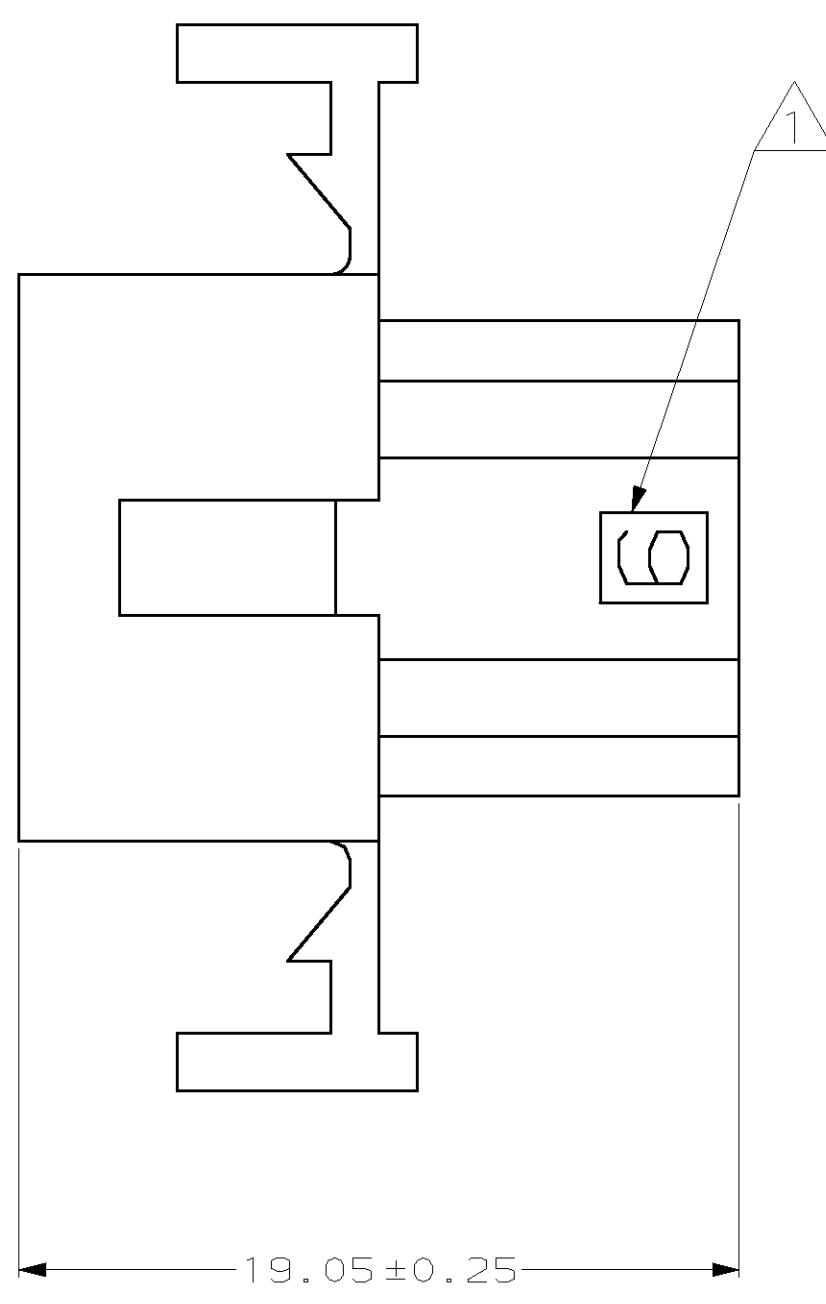
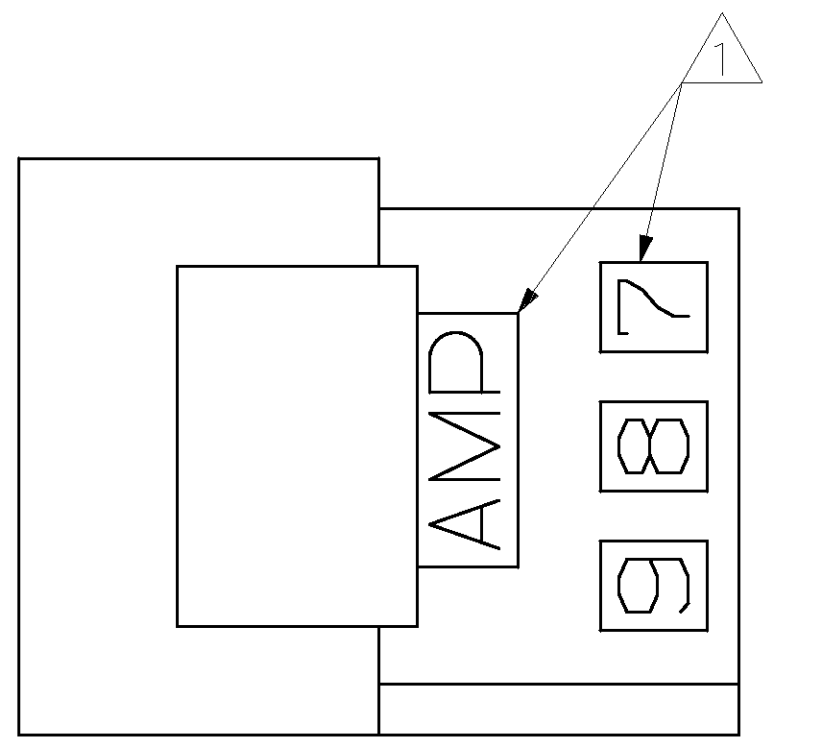
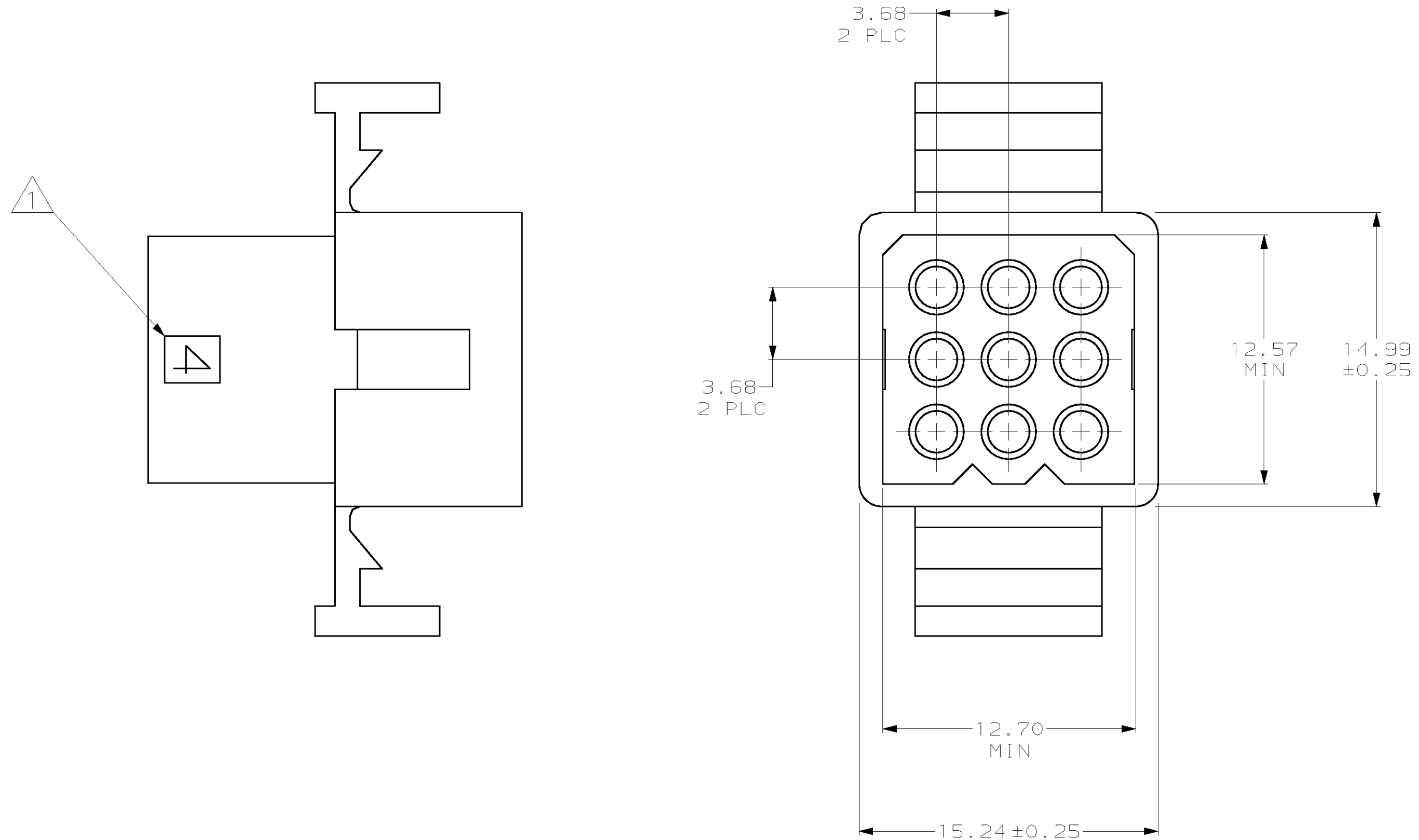


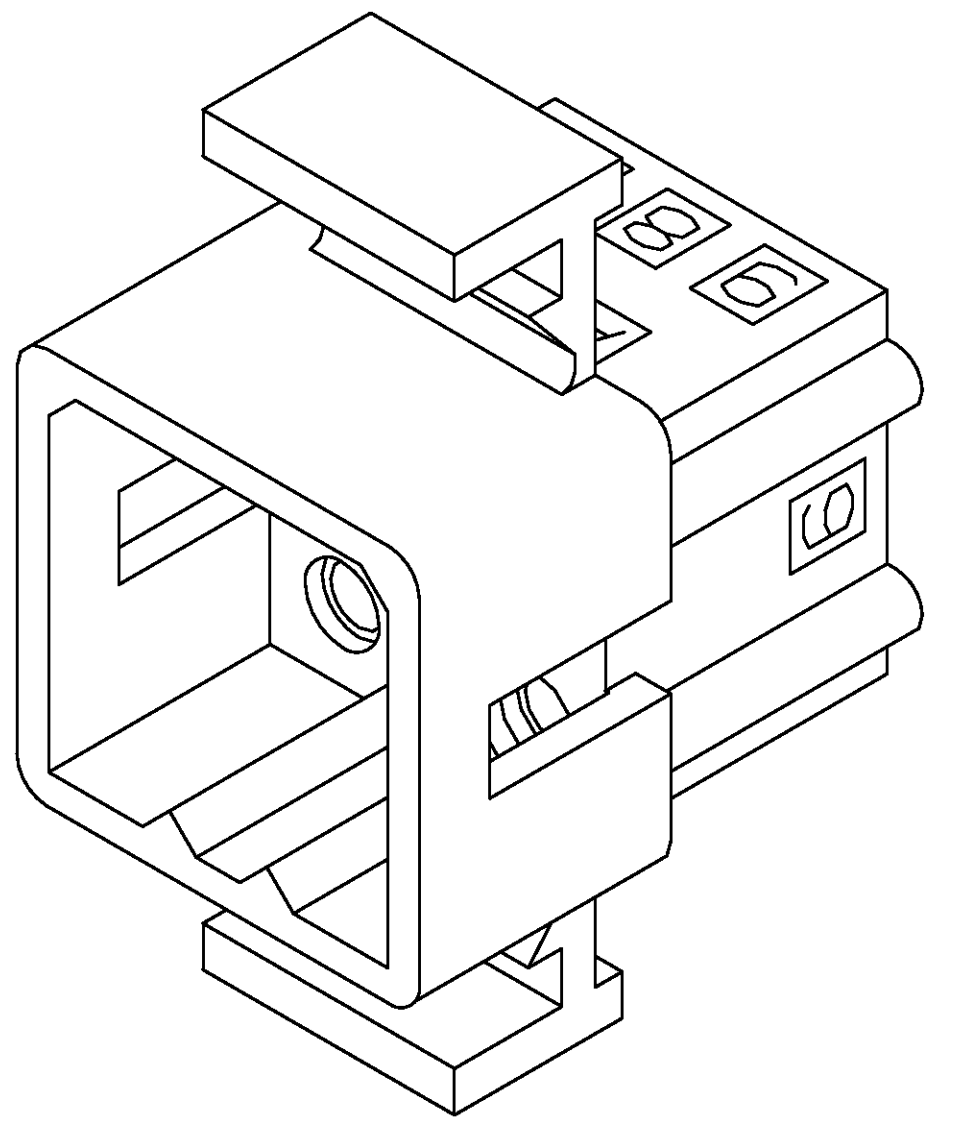
LOC	QTY	REV	DATE	BY	APPV
CM	53				

REVISIONS					
REV	DESCRIPTION	DATE	BY	APPV	
C	REV & REDWN PER EC OL30-0214-97	10-20-97	KW	RS	

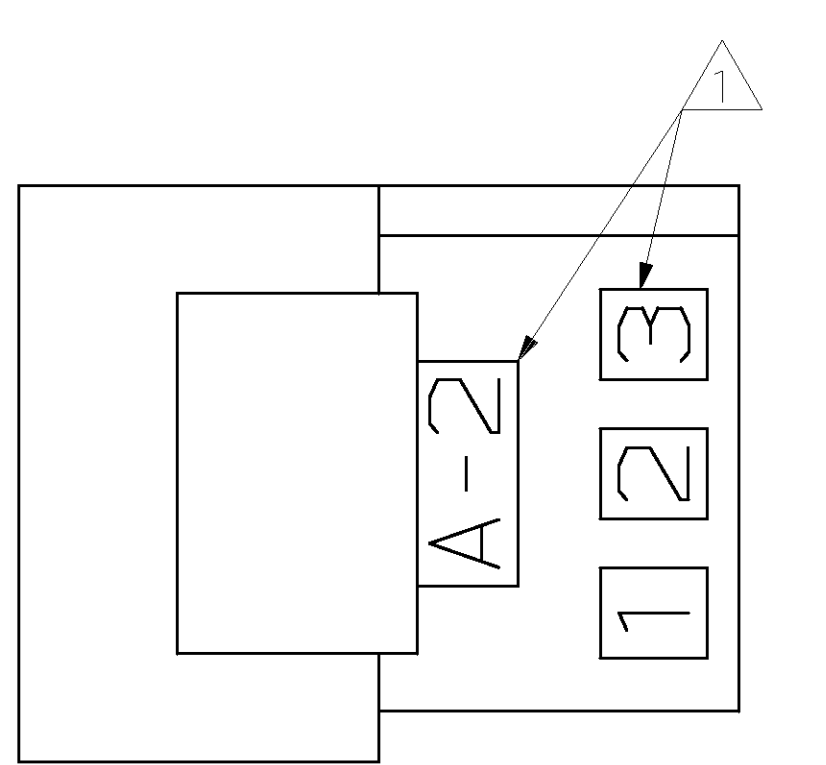
AMP LOGO AND CIRCUIT NUMBERS LOCATED APPROXIMATELY AS SHOWN.



RECOMMENDED CUT OUT FOR 1.52 MAX THICK PANEL



3-DIMENSIONAL MODEL NTS



MM	IN	MM	IN
12.57	.495	28.19	1.110
3.68	.145	19.10	.752
1.58	.062	19.05	.750
1.52	.060	15.62	.615
0.51	.020	15.24	.600
0.25	.010	14.99	.590
0.13	.005	12.70	.500

CONVERSION TABLE

770426-1
PART NUMBER

THIS DRAWING IS A CONTROLLED DOCUMENT.		DWN: K. WHITAKER 10-20-97 CHK: R. SWING 10-20-97 APVD: J. CORLE 10-20-97	AMP AMP Incorporated Harrisburg, PA 17105-3608
DIMENSIONS: mm 	TOLERANCES UNLESS OTHERWISE SPECIFIED: 9 PLC ±.01 8 PLC ±.01 7 PLC ±.01 6 PLC ±.01 5 PLC ±.01 4 PLC ±.01 3 PLC ±.01 2 PLC ±.01 1 PLC ±.01	PRODUCT SPEC: - APPLICATION SPEC: - HEIGHT: -	NAME: PLUG, PANEL MOUNT, 9 CIRCUIT, .062 PIN AND SOCKET SIZE: A1 SCALE CODE: C DRAWING NO: 00779 CUSTOMER DRAWING: 770426
MATERIAL: NYLON, JL 94V-2, NATURAL FINISH: -		SCALE: 5:1 SHEET: 1 OF 1 REV: C	RESTRICTED TO: -

